



USER MANUAL

GB



INDEX

SECTION		PAGE
1.	ABOUT THE USER MANUAL	42
1.1.	About installation in Mode 2	43
1.2.	Assistance	43
1.3.	Symbols used	43
1.4.	Warnings	44
2.	SAFETY	46
2.1.	Intended purpose of easyWallbox	46
2.2.	Use not in accordance with the intended purpose	46
2.3.	Essential safety instructions	47
2.3.1.	Respect for local conditions	47
2.3.2.	Respecting the supervision requirement	47
2.3.3.	Regulatory status	47
3.	PRODUCT DESCRIPTION	48
3.1.	General description	48
3.2.	Identification label	51
3.3.	Technical features	52
3.4.	Dynamic Power Management	53
3.5.	Product versions country by country	54
4.	INSTALLATION	55
4.1.	Choice of position	55
4.2.	Acceptable environmental conditions	56
4.3.	What's inside	57
4.4.	Opening the package	58
4.5.	Wall mounting	59
4.6.	Electrical connection in Mode 2	63

INDEX

SECTION		PAGE
5.	FIRST START	64
5.1.	Turning on easyWallbox	64
5.2.	Configuration through the My easyWallbox app (if preferred)	65
6.	CHARGING PROCEDURE	66
6.1.	LED STATUS INDICATOR	67
7.	STOP CHARGING	68
7.1.	Charging process completion	69
8.	MAINTENANCE	70
8.1.	Ordinary maintenance Intervals	71
9.	DISMANTLING AND STORAGE	72
9.1.	Disconnection from the power supply – Mode 2	72
9.2.	Removal of the device from the wall	73
9.3.	Storage	74
10.	DISPOSAL	74
10.1.	Disposal of the packaging	74
10.2.	Taking out of service and disposal of easyWallbox	74
11.	ASSISTANCE	75
	DISCLAIMER	76

1. ABOUT THE USER MANUAL

Thank you for choosing **easyWallbox**. Please spend some minutes to read the documentation to install and use it safely, discovering all its advantages. **easyWallbox** is a revolutionary, easy-to-use charging station for electric vehicles that **can be installed both in Charging Mode 2**, with connection to the power supply by plug and cable, **and Charging Mode 3**, with permanent connection to the power supply. **easyWallbox** is an AC electrical vehicle supply equipment with AC current delivers. The information in **this User Manual** is for **easyWallbox** installers and users and **concerns installation in Mode 2**, safe use, and basic maintenance of the device.



Read the associated documentation carefully to acquire familiarity with the instructions and safety indications before installing the product.

For installation in Mode 3 and other advanced functions, see the relative documentation in the **Installer Manual**.



As it involves a permanent connection to the power supply, installation in Mode 3 requires qualified personnel, qualified to design and create a dedicated state-of-the-art power supply and certify the domestic electrical system in compliance with local regulations and the energy supply contract.

1.1. About installation in Mode 2

Installation of **easyWallbox** in Mode 2 sets out connection to the power supply using plug and cable supplied with the device. Installation of the product in Mode 2 must be carried out following the instructions in this manual.



Even though intervention by qualified personnel is not mandatory for installation in Mode 2, we recommend contacting qualified personnel or service for any question or doubt concerning easyWallbox's use, installation and maintenance.

1.2. Assistance

For information on assistance, please refer to chapter 11.

1.3. Symbols used



DANGER

This symbol indicates imminent danger that may cause death or serious injuries.



WARNING

This symbol indicates a dangerous situation that may cause death or serious injuries.



CAUTION

This symbol indicates a dangerous situation that may cause slight injuries.



ATTENTION

This symbol indicates a situation that may cause material damage to **easyWallbox**.



QUALIFIED PERSONNEL

Work that must be carried out by a technician, from this point 'Qualified Personnel', qualified to design, create a state-of-the-art domestic electrical system and certify it in compliance with local regulations and the energy supply contract.

1.4. Warnings



Danger of electric shock and fire

- Before using **easyWallbox**, **read the contents** of this manual carefully to acquire familiarity with the instructions for use and the safety indications.
- **Before starting** installation, ensure that **easyWallbox** is **not connected to any power supply**. Any installation, maintenance and dismantling operation should only be done when disconnected from the power supply.
- Before connecting to a power supply, make sure that the **electric socket is installed correctly**, with a proper earth connection and in compliance with local and international standards.
- Before installing or using the device, **make sure that no damage has occurred to any component**. Damaged components can lead to electrocution, short circuits, and fire due to overheating. A device with damage or defects must not be used.
- **Before carrying out any maintenance** operation, ensure that the power supply is off.
- Before putting back or moving **easyWallbox**, ensure that the device is **not attached to the power supply**.
- Use of **easyWallbox** must be **limited to the specific applications** it is intended for.
- Installation, maintenance, or repairs **not made correctly may lead to risks for the user**. Please ensure that **easyWallbox** is only used in the **correct operating conditions**.
- The device must be connected to a **power supply compliant with all the technical requirements indicated in this manual**.
- **Children** or other persons not able to evaluate risks related to the installation or use of the device might be **seriously injured or risk their own lives**. Such persons must not operate the device and must be supervised when close to it.
- Pets or other **animals must be kept away** from the device and packaging material.
- **Children must not play with the device**, the accessories or the packaging provided with the product.
- **easyWallbox** does **not contain components that the user can repair or maintain autonomously**.
- **The only part that can be removed** from **easyWallbox** is the **aesthetic cover**, just during the installation and dismantling phases and following the instructions. **easyWallbox** should not be opened further unless by qualified personnel during installation, dismantling or maintenance.
- **easyWallbox** can only be used combined with an energy source.
- **easyWallbox** must be **treated and disposed of in compliance with current legislation**, separately from normal household refuse as electric and electronic refuse (WEEE).
- **Do not use adaptors** and cord extension sets.

2. SAFETY

2.1. Intended purpose of easyWallbox

easyWallbox is only intended for fixed mounting. It can be installed and used to charge electric vehicles both indoor (garages, company depots with restricted access, etc.) and outdoor (private land, car parks, etc.), in compliance with chapter 4 indications and local regulations.

The device can be used exclusively to charge full-electric or hybrid vehicles compatible with Type 2 connectors, as in IEC 62196-2; it is not compliant with other vehicles or devices. **easyWallbox** is a piece of Class I Equipment. Therefore, it requires a proper earthing connection, by plug and socket-outlet. The optional function for ventilation is not supported by **easyWallbox**. Some countries apply regulations that require supplementary protection from the risk of electrocution. In any case, the instructions for use in the manual and any additional documentation must be read before using **easyWallbox**. **easyWallbox** should be connected to a power supply protected by an RCD and an overcurrent protective device. The RCD should have a rated residual operating current not exceeding 30 mA, be at least type A, and should comply with one of the following standards: IEC 61008-1, IEC 61009-1, IEC 60947-2 and IEC 62423. The overcurrent protective devices should comply with IEC 60947-2, IEC 60947-6-2, IEC 61009-1 or the relevant parts of IEC 60898 series or IEC 60269 series.

2.2. Use not in accordance with the intended purpose

Use of **easyWallbox** is only safe if it conforms to the intended purpose. Different use and unauthorised modifications to the device are considered as non-compliant and so unacceptable. The user is responsible for the use and is liable for any dangerous situations or situations contrary to the legal provisions applied in their country.



ENGIE Eps does not assume any liability for damage caused by non-compliant use or unauthorised modifications to the device.

2.3. Essential safety instructions

easyWallbox was designed, built and checked in compliance with the current safety regulations. Installation of **easyWallbox** in Mode 2 can be made directly by users capable of understanding and following carefully the present instructions and able to evaluate and understand all related risks. ENGIE Eps does not assume any liability for damage to persons or things that may arise from failure to respect the safety regulations and the instructions in this manual.

2.3.1. Respect for local conditions

The operational safety of **easyWallbox** depends on its correct installation which must respect current legislation.



Incorrect installation may cause danger such as serious injury or death.

2.3.2. Respecting the supervision requirement



Children and people not able to evaluate, even momentarily, the possible risks arising from the incorrect use of **easyWallbox** must be kept away from the device and the charging cable, both when in use and non-operational.

2.3.3. Regulatory status

easyWallbox must be maintained intact. If there is any damage or defects, users run the risk of serious injury caused by electric shocks. Therefore, follow the instructions below:

- avoid knocking the device
- avoid use not in accordance with the intended purpose
- incorrect use of the device
- clearly indicate the malfunction of the device so that other people will not use it
- ask for the prompt intervention of qualified personnel to repair damage or defects

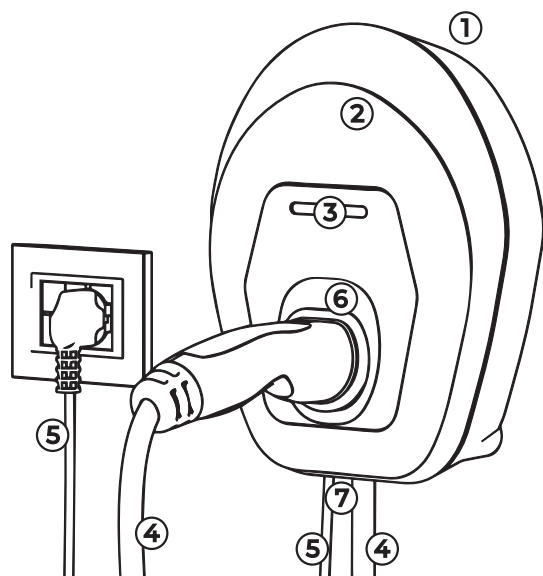


Use of easyWallbox during a strong thunderstorm is not recommended.

3. PRODUCT DESCRIPTION

3.1. General description

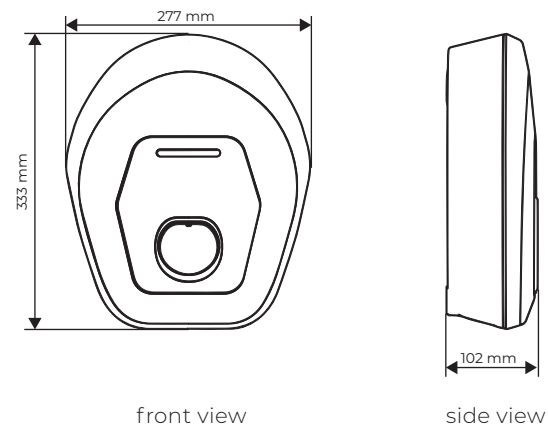
The case of **easyWallbox** is in polycarbonate and ensures a high level of stability and lightness. The design of the device is the result of in-depth study intended to provide an ergonomic, lean and intelligent work tool.



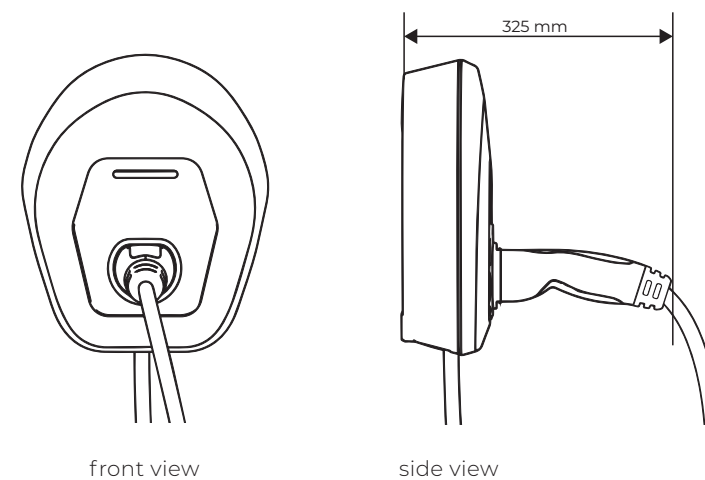
Product description

- | | |
|-------------------------------|--------------------------------|
| ① Case | ⑤ Power cable |
| ② Removable cover | ⑥ Type 2 connector port |
| ③ LED status indicator | ⑦ Provision for current sensor |
| ④ Cable with Type 2 connector | |

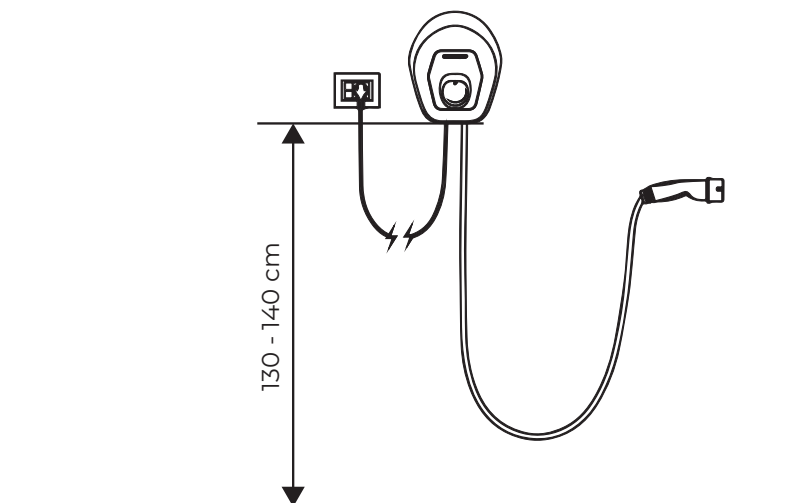
Size of easyWallbox charging station



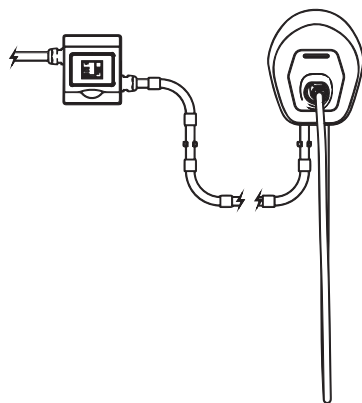
Size of easyWallbox charging station with connector in place



Installation of **easyWallbox** in Mode 2

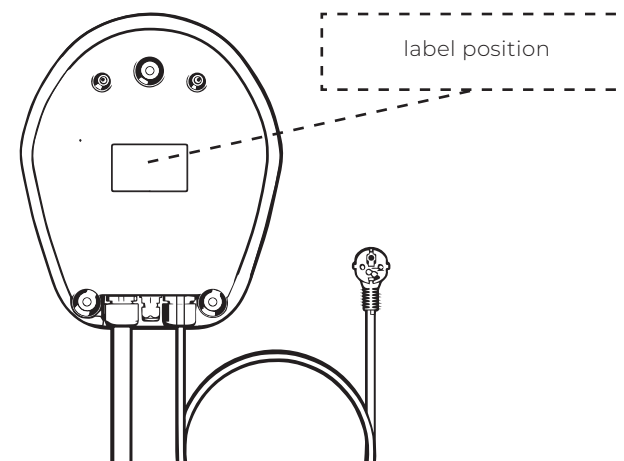


Installation of **easyWallbox** in Mode 3
(see Installer Manual)



3.2. Identification label

The identification label is on the backside of the charging station.
The information on the label is shown in the Figure below. The data shown may differ from that in the Figure, depending on the version of the product.



3.3. Technical features

easyWallbox

if installed in Mode 2 if installed in Mode 3

Description

Connector Standard (EV side)	IEC 62196-2	
Power supply plug	E/F (G in UK, J in Switzerland)	
EVSE Standard	IEC 61851	
CE Mark	Y	
Warranty	2 years	
Recharging Mode	Mode 2	Mode 3
TÜV Certification	Y	Y

Electrical Specs and connection

Maximum Power [kW]	up to 2.3*	up to 7.4*
Voltage [V / Hz]	230 / 50, single-phase	230 / 50, single-phase
Current (Mode 2) [A]	up to 10*	up to 32*
Stand-by consumption [W]	< 2	< 2
Cable with connector Type2 (EV side)	Y, tethered included	
Cable with connector Type2 Length [m]	6	3
Power Supply cable [m]	6	N.A.

* The values may vary in some countries according to local applicable standards

General Specs

Enclosure ratings	IP54, IK08 (IEC 60529)
Overall body dimensions [mm]	"335 x 277 x 95 (w/o Plug) 335 x 277 x 350 (with plug)"
Housing	Polycarbonate
Weight [kg]	~ 4
Standard Body colour	Black (RAL 9011) and White (RAL 9010)
Status indication	Y, led RGB

Safety and Operation

Temperature range [°C]	-25 / +50 (without direct exposure to sunlight)
Overheating protection	Y
Humidity Resistance	Y, full coated
Class of Protection	I
Pollution Degree	PD3
Overvoltage category	OVC III
Housing fire ratings	UL94 V-0
Residual current monitoring	Y, 6 mA DC sensitive RCM device included for DC-leakage detection
Maximum installation height [m]	2000 a.s.l.

Connectivity & Special Features

Bluetooth	Y
Smartphone App	My easyWallbox, compatible with Android, IOS
Android version compatibility**	Lollipop (5.0) or higher
IOS version compatibility**	12 or higher
Communication Protocol	Proprietary
Dynamic Power Management	Y, by installing the included sensor

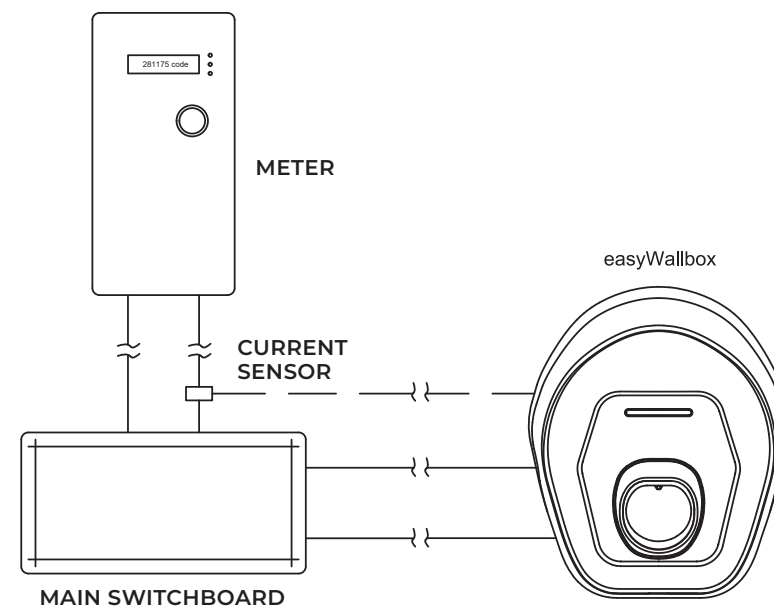
** Data refer to the first release of the APP and may vary with future evolution

3.4. Dynamic Power Management

easyWallbox includes Dynamic Power Management (DPM), a smart function that modulates the charging power according to power availability, thus avoiding unpleasant blackouts.

To activate the Dynamic Power Management, please check the Installer Manual (see www.easywallbox.eu) on installation of the sensor on the power supply and setting up the parameters.

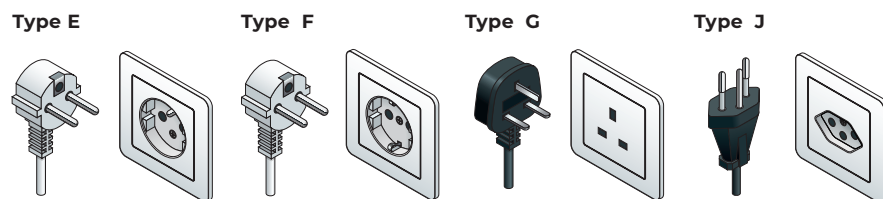
easyWallbox can work even without Dynamic Power Management; in this case, the installation of a dedicated sensor is not necessary, but avoidance of blackouts is not ensured.



Connection of the Dynamic Power Management sensor may require installation by a professional in accordance with local regulations. We recommend contacting qualified personnel or service for any questions or doubts concerning easyWallbox's use, installation, and maintenance.

3.5. Product versions country by country

The maximum current in Mode 2 is limited to provide **easyWallbox** with **maximum safety level, in compliance with local applicable standards**. **easyWallbox** is already configured taking account of these differences during production, so it is ready-to-use with maximum available current.



Country	Current limit in Mode 2 [A]	Plug code
1. Germany	10	E/F
2. France	8	E/F
3. UK	10	G
4. Belgium	10	E/F
5. Luxembourg	10	E/F
6. Netherlands	10	E/F
7. Switzerland	8	J
8. Austria	10	E/F
9. Poland	10	E/F
10. Greece	10	E/F
11. Czech Republic	10	E/F
12. Slovakia	10	E/F
13. Hungary	10	E/F
14. Denmark	6	E/F
15. Sweden	10	E/F
16. Italy	10	E/F
17. Spain	10	E/F
18. Portugal	10	E/F
19. Norway	10	E/F



- Do not use adaptors and cord extension sets.
- ENGIE Eps does not assume any liability for damage caused by non-compliant use or unauthorised modifications to the device.

4. INSTALLATION

4.1. Choice of position

easyWallbox is designed for indoor and outdoor use, only for fixed wall mounting, and therefore cannot be used in different spaces where its continual movement is required.

Before installing the device, check the feasibility. In detail, the position chosen for the installation of **easyWallbox** must:

- be on a vertical and flat surface, as shown in 4.5; weak surfaces that do not ensure robust resistance must be avoided
- allow easy connection to the power supply and the electric vehicle to charge
- not be an obstacle to the movement of the electric vehicles to charge
- not have material or equipment on the whole of the surface required for the installation
- respect local legislation on electrical installations, fire prevention measures and rescue methods in the installation site



easyWallbox should not be installed on a pole/column or mounted pipe.

easyWallbox must not be installed in places:

- at risk of explosion (EX environment)
- used for escape routes
- where articles may fall on it (e.g. suspended ladders or car tyres) or where it is likely to be hit and damaged (e.g. close to a door or in vehicle operating spaces)
- where there is a risk of pressurised jets of water (e.g. because of washing systems, power washers or garden hoses)



In Italy, easyWallbox must not be installed in public areas, as in IEC 61851-1.

4.2. Acceptable environmental conditions

In detail, the conditions of the room where **easyWallbox** is sited must be as follows:

- room temperature between -25°C and +50°C
- average temperature over 24 hrs less than 35°C
- maximum altitude above sea level: 2,000 metres
- relative air humidity not higher than 95%



Damage to easyWallbox caused by unsuitable environmental conditions. Inappropriate positioning of easyWallbox may cause damage to the device.

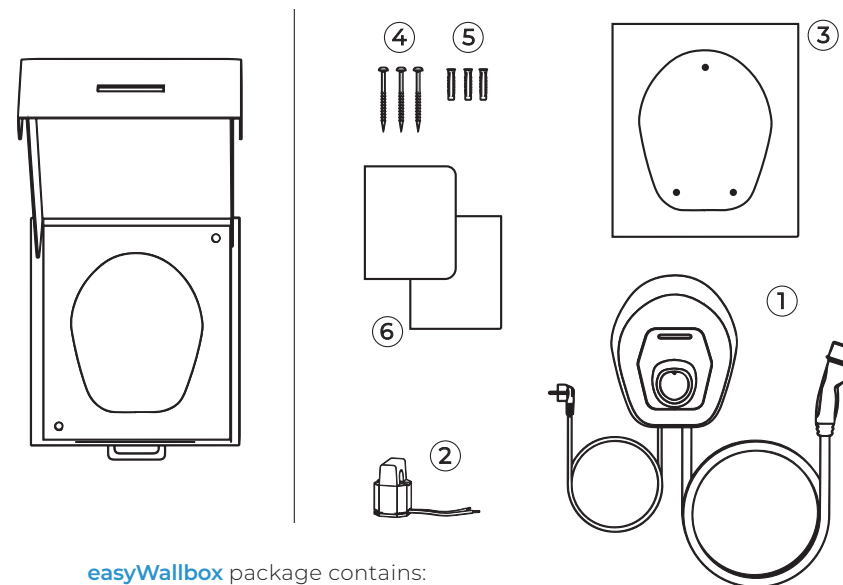
Take the following into consideration when choosing the position for the installation of **easyWallbox**:

- avoid exposure to direct sunlight, if necessary, by installing a canopy
- avoid direct exposure to the rain so that deterioration due to bad weather does not occur
- ensure sufficient ventilation for the device – do not mount it inside a niche or a closet
- avoid an accumulation of heat - keep the device away from heat sources
- avoid exposure to water infiltration
- avoid excessive leaps in temperature



Danger of fire and explosion
easyWallbox must be installed in areas where there are no incendiary or explosive substances, such as close to petrol stations, because any sparks triggered by its components could cause fires or explosions.

4.3. What's inside

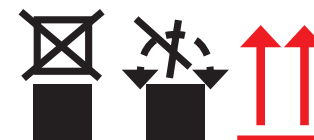


easyWallbox package contains:

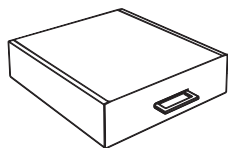
- | | |
|---|-----------------------------------|
| ① Power supply plug and charging connector | ⑤ 3 Fixing Plugs |
| ② Current sensor for Dynamic Power Management (DPM) | ⑥ Manuals and product certificate |
| ③ Drilling template | ⑦ Current Sensor for DPM |
| ④ 3 Screws | |



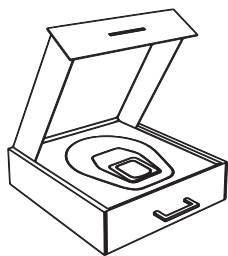
Do not stack loads on the box containing easyWallbox and pay attention to the signs and specific instructions on the package.



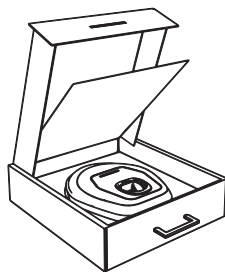
4.4. Opening the package



Closed box containing easyWallbox



Opening the lid of the box containing easyWallbox



Raising the panel in the box with easyWallbox

When the box is opened, check that the various parts of **easyWallbox** do not show signs of physical damage caused by knocks, lacerations or abrasions. If damage is detected installation must be interrupted immediately and the type of damage reported to the seller. If necessary, contact assistance as explained in 11.

The individual components of the device are protected by PVC packaging and sealed with adhesive tape. When the box is opened, the parts should be cleaned to remove any dust, PVC residues or portions of adhesive tape.

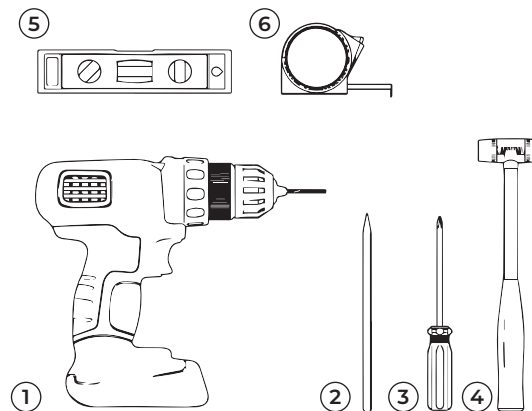
easyWallbox must only be taken from the box when everything has been prepared for the installation and it must be transported manually to the wall chosen for its installation.



When easyWallbox is moved manually, do not trip on the power supply cable of the vehicle.

4.5. Wall mounting

- ① Drill
- ② Pencil
- ③ Screwdriver
- ④ Hammer
- ⑤ Spirit level
- ⑥ Measure tape



tools not included



ENGIE Eps declines any liability for damage to persons or things that may arise from the use of such tools. We recommend contacting qualified personnel or service for any question or doubt concerning easyWallbox installation.

The national and international building regulations and the directives defined by the International Electrotechnical Commission IEC 60364-1 and IEC 60364-5-52 must be respected when fixing **easyWallbox** to the wall. Correct positioning of the charging station is important for its operation.

When the installation wall is chosen for easyWallbox, take the distances of the connection to the power supply and the connector on the vehicle into consideration as well as the parking and manoeuvring space available.

If several **easyWallboxes** are installed close together, there must be at least 20 cm between each one.

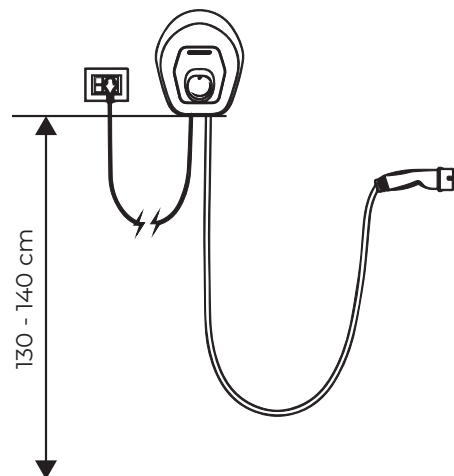
easyWallbox must be installed at a height of 1.30-1.50 m from the floor.



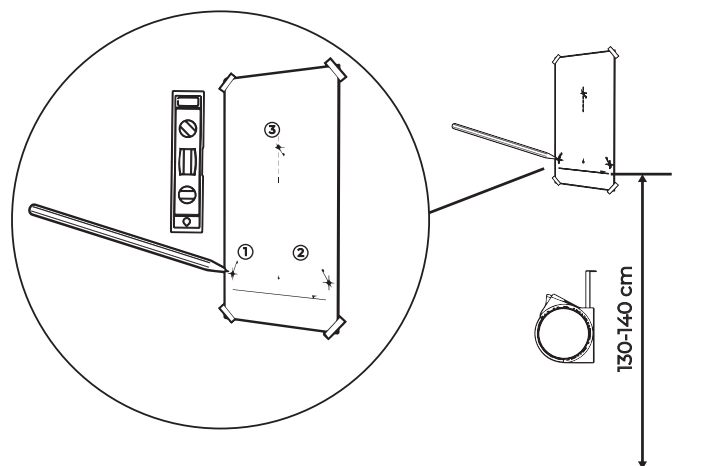
Risk of electric shock.

Before starting installation, be sure that the easyWallbox is not connected to any power supply. Any installation, maintenance and dismantling operation should only be done when the power supply is switched off on your service panel.

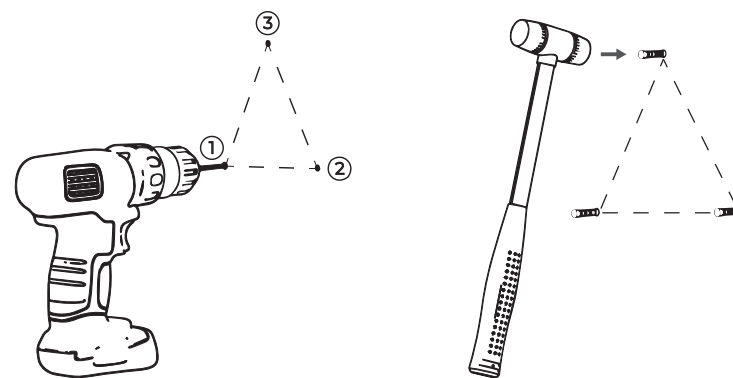
Wall-mounting height for **easyWallbox**.



Follow the steps below.

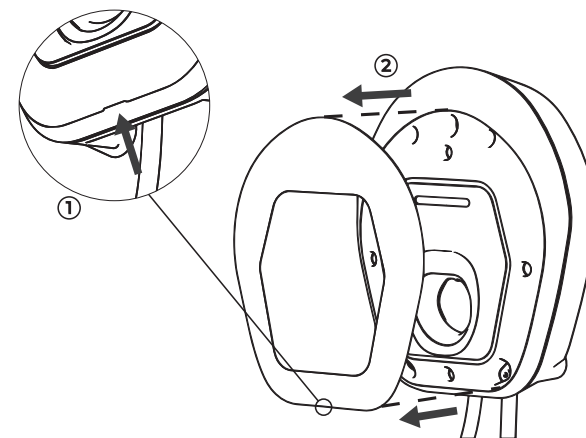


1. Using the drilling template (A3 sheet), mark where to drill on the wall, using a measure tape and a spirit level.



2. Use a drill to make the holes in the wall.

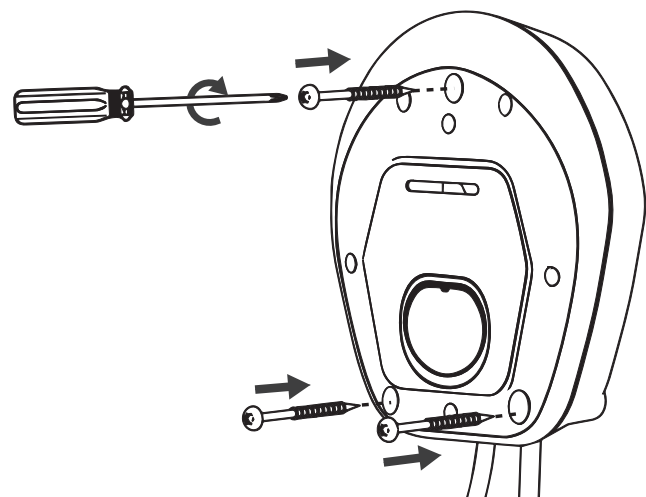
3. Put the fixing plugs into the holes using a hammer.



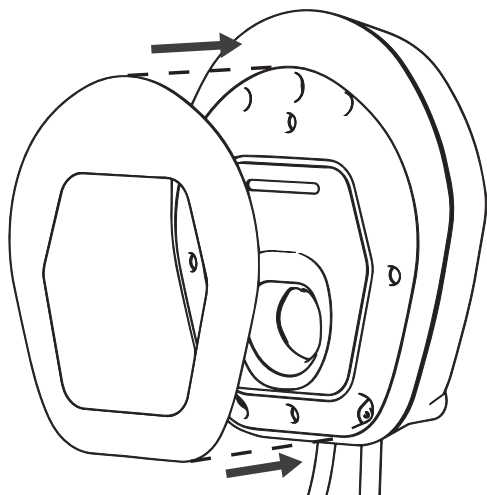
4. Remove the aesthetic cover of easyWallbox set up by mechanical interference in the CASE, using the groove on the bottom.



The only part that can be removed from easyWallbox is the aesthetic cover. easyWallbox should not be opened further unless by qualified personnel during installation in Mode 3, dismantling or maintenance.



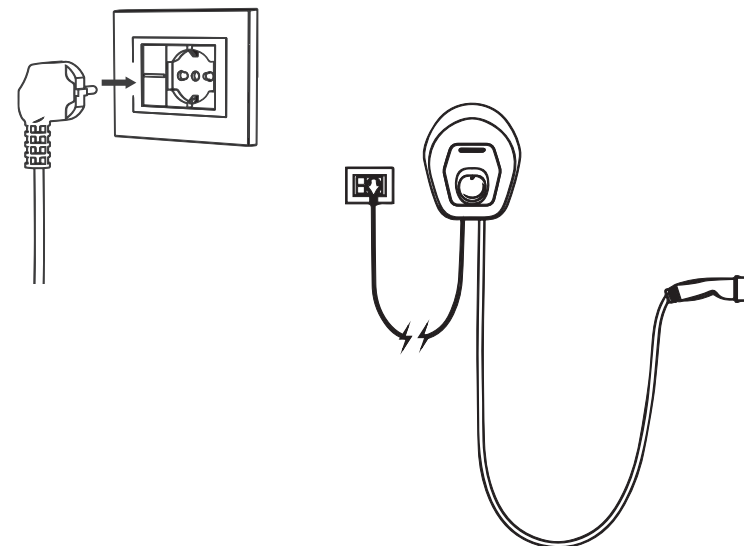
5. Place **easyWallbox** in correspondence with the holes and fix it to the wall using the screws supplied.



6. Reposition the aesthetic cover

4.6. Electrical connection in Mode 2

Once **easyWallbox** has been mounted on the wall, connect it to the power supply by putting the plug into an electrical socket.



Attention: The plug should be connected directly to a power outlet, without adapters and in compliance with local regulations concerning domestic electrical systems. Do not use adapters, triples, 'multi-sockets' or cord extension sets.

If there is an incorrect electrical connection, the risk of damage to persons or things is especially high if the car is left to charge for a long time in an unsupervised place.

5. FIRST START

5.1. Turning on easyWallbox

The device does not have start/stop buttons. Once installed, it is ready to charge when there are the following conditions:

- correct installation, carried out following the instructions in this manual
- regular status of the device



**Danger of electric shock when the device is damaged.
Use of a damaged device may generate electrical discharges.**

If the device is damaged, follow the instructions below precisely to avoid dangerous situations, with the resulting damage to persons or things:

- avoid using the damaged device
- clearly indicate the damaged device so that other people will not use it
- call qualified personnel promptly so that the device can be repaired or, if irreparably damaged, taken out of service

5.2. Configuration through the My easyWallbox app (if preferred)

My **easyWallbox** is a dedicated smartphone App, available both on Google Play® and App Store®, that can be used to configure, monitor, and set **easyWallbox** via a Bluetooth connection.

Start and stop: Charging processes can be started and stopped, the charging session delayed and access gained to the log of the latest charging sessions through the app.

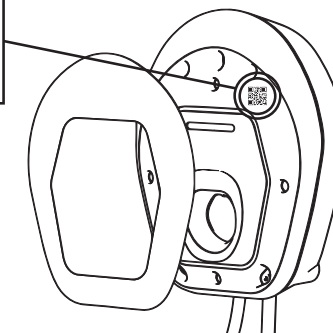


My **easyWallbox** | FCA



Simultaneous use of My easyWallbox and smart charging function from the vehicle may lead to minor functional issues.

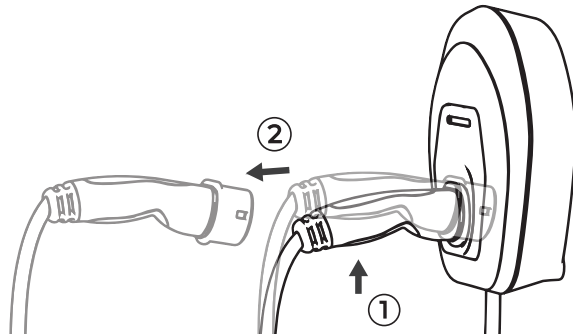
To authenticate the smartphone, frame the QR code as required by the app tutorial. For detailed instructions please refer directly to the app.



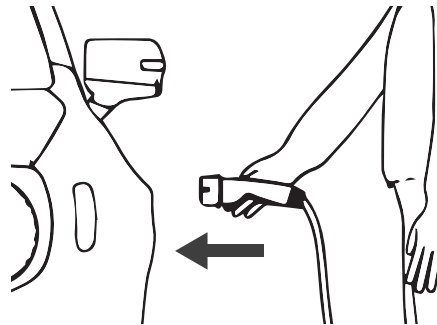
6. CHARGING PROCEDURE

Once installation is completed, recharging an electric vehicle with **easyWallbox** is very easy. All you have to do is:

1. Ensure that **easyWallbox** is connected to an active power supply
2. Check if the LED status indicator is green



3. Extract the connector from **easyWallbox**



4. Insert the connector into the electric vehicle



- Vehicle adaptors should not be used to connect a vehicle connector to a vehicle inlet
- Avoid dynamic stress of the cable. Do not pull or twist it.

6.1. LED STATUS INDICATOR

There is a strip of LEDs on the front of the charging station which combines visual signals and alarms indicating the status of **easyWallbox**:

- **BLUE STAND-BY** status, **easyWallbox** indicates it is ready to start the charging process or charging session is complete.
- **GREEN RECHARGING** status, **easyWallbox** is recharging the electrical vehicle.
- **FLASHING RED ALARM** status, **easyWallbox** is not charging due to an error. **easyWallbox** self-restores from minor errors within a few seconds. If it remains in ALARM status for a long time, please contact assistance as explained in 11.

7. STOP CHARGING

If the charging process is completed, the LED on the device turns blue, and the connector can be removed from the electric vehicle as explained in 7.1.

If the charging process is not completed, it must first be stopped. The interruption can be done in two different ways:

- Directly through electric vehicle dedicated control (see the vehicle instruction manual for more details).
- Using My [easyWallbox](#) app.

Once the process is stopped, refer to the next chapter.



Please note that, once the charging process is stopped, the connector must be extracted from the vehicle before the charging process can be restarted.

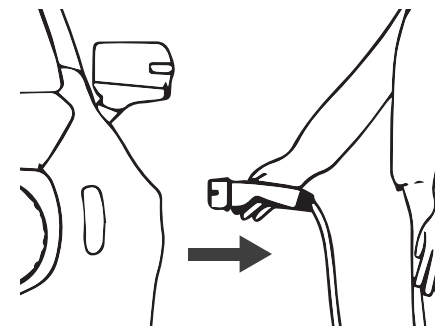


Avoid pulling the cable from the vehicle inlet if the charging process is not completed.

7.1. Charging process completion

To complete the charging process, see the following instructions:

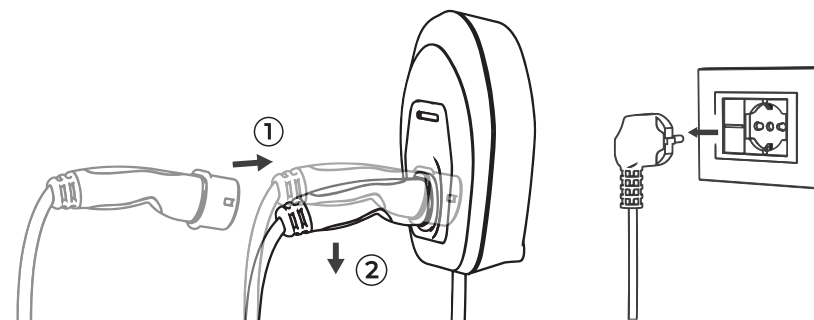
1. Check if the LED on the device is BLUE



2. Extract the connector from the vehicle inlet



Do not extract the connector from the vehicle when the charging process is NOT completed and the LED on the device is GREEN. Pulling the cable could damage it and lead to electrocution and serious injuries.



3. Insert the connector into [easyWallbox](#)
4. To provide maximum safety level, the connection with the power supply can be interrupted (if necessary by removing the plug from the socket).

8. MAINTENANCE



Before carrying out any type of maintenance on easyWallbox, wait for it to come to a complete halt and turn it off, disconnecting it from the power supply.

The perfect operation and duration of **easyWallbox** depends on periodic checks and maintenance made on the device.

Here are some examples of damage that **easyWallbox** may suffer:

- damage to the case
- damage to the front panel
- damage to components
- accidental removal of components



A defective or damaged device must not be used under any circumstances. Any defects must be rectified immediately by qualified personnel.



Danger of electric shock when the device is damaged. Use of a damaged device may generate electrical discharges.

If the device is damaged, follow the instructions below precisely to avoid dangerous situations, with the resulting damage to persons or things:

- avoid using the damaged device
- clearly indicate the damaged device so that other people will not use it
- call qualified personnel promptly so that the device can be repaired or, if irreparably damaged, taken out of service

8.1. Ordinary maintenance Intervals

easyWallbox does not require specific maintenance. However, it is recommended to:

- always insert the connector into **easyWallbox** when the device is not in operation
- we advise regular cleaning of the plastic case with a damp cloth
- we advise a regular inspection and cleaning of the connector only after removing the power supply
- avoid cleaning with aggressive solvents or abrasive materials
- carry out a visual inspection of the device to note defects at every charging session
- carry out a visual inspection on the recharging cable at every charging session
- carry out a visual inspection on the power supply cable at every charging session and, however, before any connection to the power supply
- If the power supply plug is removed from the socket, please place the cable tidily, if necessary by rolling it around the case of **easyWallbox**. Anyhow, the cable must be placed in a safe manner, where it does not obstruct anyone and cannot be damaged (e.g. pressed by vehicles)
- control of operational readiness



easyWallbox does not contain components that the user can repair or maintain autonomously.



The only part that can be removed from easyWallbox is the aesthetic cover, only during the installation and dismantling phases and following the instructions. easyWallbox should not be opened further unless by qualified personnel during installation in Mode 3, dismantling or maintenance

9. DISMANTLING AND STORAGE

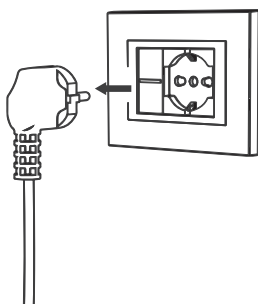
Once **easyWallbox** has reached the end of its technical and operational life, it must be deactivated or taken out of service.



Risk of electric shock.

Before starting dismantling, be sure that the **easyWallbox** is not connected to any power supply. Any operation of installation, maintenance and dismantling should only be done when the power supply is switched off on your service panel.

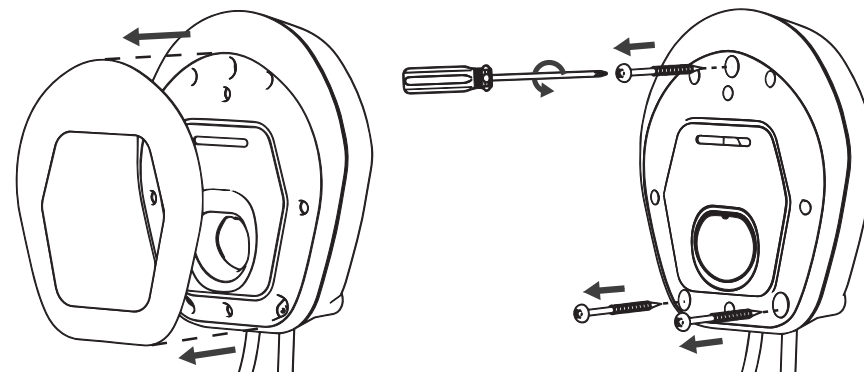
9.1. Disconnection from the power supply – Mode 2



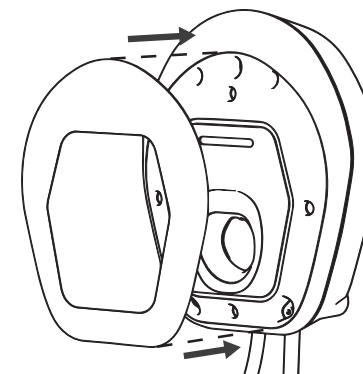
Remove the plug from the socket.

9.2. Removal of the device from the wall

Follow the steps below to remove **easyWallbox** from the wall where it is installed:



1. Remove the aesthetic cover.
2. Unscrew the three screws in the wall.



3. Reposition the aesthetic cover on the device.

9.3. Storage

If you want to dismantle **easyWallbox** and keep it for future use, use the following precautions to maintain its operability:

- clean the device well before storing
- put the clean device into the original packaging or suitable clean and dry material
- follow the storage conditions:
 - the temperature of the place where the device is stored must be between -25°C and +40°C
 - the average temperature over 24 hrs must not exceed 35°C
 - the relative air humidity must not exceed 95% and condensation must not form

10. DISPOSAL



10.1. Disposal of the packaging

Dispose of the packaging in an environmentally friendly manner. The materials used for the packaging of this product can be recycled and must be disposed of in compliance with the legislation in force in the country of use.

10.2. Taking out of service and disposal of easyWallbox

This appliance is labelled in accordance with European Directive 2012/19/EU concerning used electrical and electronic appliances (waste electrical and electronic equipment – WEEE). The guidelines determine the framework for the return and recycling of used appliances as applicable throughout the EU.

Further information about current disposal facilities can be obtained from local authorities.



Electric and electronic refuse (WEEE) must be treated and disposed of in compliance with current legislation, separately from normal household refuse.

11. ASSISTANCE

If you have any questions about the installation of **easyWallbox**, contact the authorised assistance centre. Various assistance centres available to customers can be found on www.easyWallbox.eu

Refer to the authorised assistance centre for any questions on the use of **easyWallbox**.

Support will be provided by Engie EPS through land-line in the **local language**, for the following countries:

Germany	Sweden
UK	Italy
Belgium	Spain
Luxembourg	Portugal
Netherlands	Greece
France	Czech Republic
Switzerland	Slovakia
Austria	Hungary
Poland	Norway (English only)
Denmark	

Land-line: 8:00 a.m. - 8:00 p.m. from Monday to Saturday

If you contact Engie Eps assistance, please have the following information available, as shown in chapter 3.2:

- name of the model;
- serial number.

DISCLAIMER

The information in this manual belongs to ENGIE Eps S.A. (ENGIE Eps) and cannot be reproduced wholly or partly.

The Italian version of this manual is the original. Instructions in other languages are translations of the original manual.

ENGIE Eps will not be held responsible for any damage that may directly or indirectly result to people, things or animals due to the failure to comply with all the prescriptions indicated in this Manual and the warnings regarding the installation, use and maintenance of the easyWallbox.

ENGIE Eps S.A. reserves all rights in this document, the article, and the illustrations it contains. Any whole or part reproduction, disclosure to third parties or use of its contents is prohibited without the prior written consent of ENGIE Eps S.A.

© Copyright 2019 ENGIE Eps
All rights reserved
www.easywallbox.eu



USER MANUAL

